

22nd IUNS-ICN



22nd IUNS-ICN INTERNATIONAL CONGRESS OF NUTRITION IN **TOKYO**, JAPAN

Exhibition

Date December 6 – 11, 2022

Venue **Tokyo International Forum**
3-5-1 Marunouchi, Chiyoda-ku, Tokyo 100-0005, Japan
TEL: +81-3-5221-9000

THE POWER OF NUTRITION : FOR THE SMILES OF 10 BILLION PEOPLE

Host Organizations: Japan Society of Nutrition and Food Science
The Japanese Society of Nutrition and Dietetics
Science Council of Japan
Organizing Committee of 22nd IUNS-International Congress of Nutrition (ICN)

Parent Organization: International Union of Nutritional Sciences (IUNS)

Organizing Committee: Chair - Hisanori Kato (The University of Tokyo)
Vice Chairs - Nobuya Inagaki (Kyoto University)
Yukari Takemi (Kagawa Nutrition University)

URL: <https://icn22.org/>

Exhibition secretariat: **A&E Planning Co., Ltd.**
Hitotsubashi Bekkan 4F, 2-4-4 Hitotsubashi,
Chiyoda-ku, Tokyo 101-0003, Japan
TEL: +81-3-3230-2744
FAX: +81-3-3230-2479
E-mail: iuns-icn2022@aeplan.co.jp

Greeting

Thanks a successful bid aimed at bringing it to Japan, the 22nd International Congress of Nutrition (ICN) of the International Union of Nutritional Sciences (IUNS) was originally scheduled at the Tokyo International Forum over the six-day period from Tuesday, September 14, to Sunday, September 19, 2021. Due to its developing situation with COVID-19 and difficulties in traveling abroad, after much thought and deliberation, the Organizing Committee of 22nd IUNS-ICN has decided to postpone the congress to Tuesday, December 6, to Sunday, December 11, 2022.

More than 80 countries and regions have joined the IUNS as affiliating bodies, including the Science Council of Japan. The International Congress of Nutrition convenes once every four years, and the upcoming 22nd session will be the first to be held in Japan in 47 years— since the 10th Congress of 1975 (in which Yuichi Ochi, The President of Science Council of Japan, served as chairperson and for which Professor Hisateru Mitsuda chaired the organizing committee). For this session, the Science Council of Japan (IUNS Committee), the Japan Society of Nutrition and Food Science, and the Japanese Society of Nutrition and Dietetics orchestrated a successful bid to host the event, and now those three organizations are working to prepare for it. We currently anticipate about 4,000 participants.

Japan has attracted worldwide attention in a variety of areas related to nutritional science. Examples include how it has responded to the coming of the world's first super-aged society; how it has been forced to respond to rapid growth in the prevalence of lifestyle-related diseases caused by overnutrition despite having an exceptional dietary culture; how it has an array of outstanding health policies, including a school lunch program, shokuiku education, and related legal structures; and how it has moved quickly to develop research into functional food products and related programs. The 22nd International Congress of Nutrition can be expected to further enhance the close relationship as well as the intense collaboration among nutrition scientists across the globe. In addition, we are considering cooperation with the Tokyo Nutrition for Growth Summit scheduled in December 2021, and synergistic effects are expected.

We plan to keep things simple as we host and organize the Congress. That said, participation fees alone will not be sufficient to fund the event, and I would like to ask for the broad support of stakeholders so that we can enrich the Congress's offerings and make them more effective. I hope that this effort will benefit from your understanding and cooperation.

November 2021

Hisanori Kato
Chair, IUNS 22nd International Congress of Nutrition Organizing Committee
Specially Appointed Professor, Graduate School of Agricultural and Life Sciences,
The University of Tokyo
President and Representative Trustee, Japan Society of Nutrition and Food Science

Congress Information

- Name 22nd IUNS-ICN INTERNATIONAL CONGRESS OF NUTRITION IN TOKYO, JAPAN
Abbreviated name: 22nd IUNS-ICN
- Organizers IUNS 22nd International Congress of Nutrition Organizing Committee
Japan Society of Nutrition and Food Science
The Japanese Society of Nutrition and Dietetics
Science Council of Japan
- Sponsors Ministry of Foreign Affairs; Ministry of Education, Culture, Sports, Science and Technology; Ministry of Health, Labour and Welfare; Ministry of Agriculture, Forestry and Fisheries; Ministry of Economy, Trade and Industry; and Food Safety Commission of Japan (all under application)
Federation of Japanese Nutrition Societies
The Japanese Society of Clinical Nutrition
Japanese Society of Shokuiku
Nutrition and Food service Management
Japanese Society for Medical Use of Functional Foods
Japan Association for Diabetes Education and Care
Japan Sports Nutrition Association
Japan Society of Metabolism and Clinical Nutrition
The Japanese Clinical Nutrition Association
Japanese Association of Rehabilitation Nutrition
The Japan Home Nutrition Management Society
Japanese Society for Amino Acid Sciences
The Japan Dietetic Association
Japanese Society for Surgical Metabolism and Nutrition
The Japanese Society for Food Science and Technology
The Japan Diabetes Society
Japan Atherosclerosis Society
The Japan Endocrine Society
The Japan Society for Bioscience, Biotechnology, and Agrochemistry
The Vitamin Society of Japan
Japan Society for the Study of Obesity
Japanese Society for Food Factors
Japan Polyphenol Society
Japan Chrono-nutrition Research Society
The Japanese Society of Applied Glycoscience
The Japan Society for Developmental Origins of Health and Disease
Japanese Society of Animal Science
Japanese Society of Health Education and Promotion
Japanese Society of Public Health
Japanese Society on Nutrition Care and Management

Japanese Society for Clinical Nutrition and Metabolism
 Japanese Society of Physical Fitness and Sports Medicine
 The Japan Epidemiological Association
 The Japan Oil Chemists' Society
 Japan Society for Lipid Nutrition
 The Physiological Society of Japan
 Japanese Association for Dietary Fiber Research
 Japanese Association of Nutritional Science Education
 The Japanese Society of Health and Human Ecology

● Parent organization International Union of Nutritional Sciences

● Numbers of participating countries & attendees

4,000 attendees from 115 countries and regions
 (2,000 people from overseas and 2,000 from Japan)

● Past congresses

The Congress is held every four years.

| Year | No. | Location | Attendees |
|------|-----|-------------------------|-----------|
| 2001 | 17 | Vienna, Austria | 3,550 |
| 2005 | 18 | Durban, South Africa | 2,100 |
| 2009 | 19 | Bangkok, Thailand | 4,070 |
| 2013 | 20 | Granada, Spain | 3,896 |
| 2017 | 21 | Buenos Aires, Argentina | 2,900 |

● Language English

Significance, background, and overview of the Congress

[Importance of nutritional science]

Nutrition is one prerequisite for existing and enjoying a healthy, and happy life. We must think about nutritional problems on a global scale and pursue research, education, policy, and other initiatives to resolve those problems. Many of the Sustainable Development Goals (SDGs) by the United Nations are either directly or indirectly related to nutrition, and the discipline of nutritional science finds itself the target of increasingly high expectations. In recent years, countries around the world have seen growing interest in the relationships that link food, nutrition, and health; many countries expect progress in nutritional science, as well as the practice of nutrition and nutritional education, in Japan, which is known for its long life expectancy, to serve as models.

At the same time, there are many issues that Japan must face due to its status as an advanced nation with long life expectancy. In this way, nutritional science is called upon to work toward the analysis and resolution of various issues, including meals and nutrition for senior citizens, growth in the prevalence of lifestyle-related diseases, challenges related to ensuring functional foods and supplements are used in an appropriate manner, overnutrition, unhealthy dietary habits on the part of young people, undernutrition and an excessive focus on body weight among young women, and low- birth-weight infants.

[Background]

The International Congress of Nutrition (ICN) is held by the International Union of Nutritional Sciences (IUNS) every four years, and next year's event will be the 22nd since the first Congress was held in 1946, making it the world's longest-running international congress in the field of nutritional science. During the general session of the IUNS in 2013, it was decided that the 22nd ICN would be held in Japan in the fall of 2021 (postponed to 2022 winter afterwards). Following that decision, Japan Society of Nutrition and Food Science and the Japanese Society of Nutrition and Dietetics formed the 22nd International Congress of Nutrition Organizing Committee in 2016 and began preparing for the event, which will be the second ICN to be held in Japan and the first in 47 years, since the 10th ICN.

The committee's goal is to bring together leading researchers from around the world to facilitate the discussion and presentation of the latest research findings related to the importance of nutritional science, as described above, and to contribute to the development and application of nutritional science.

[ICN theme and program contents]

The 22nd ICN has selected as its main theme "The Power of Nutrition: For the Smiles of 10 Billion People". The event, whose principal topics will be advances in nutrition research; nutrients and nutritional assessment; nutrition through life course; nutrition and management of diseases; food culture practices and nutrition education; public health nutrition and environment; functional foods and bioactive compounds; and agriculture, food science and safety, will include presentation and discussion of research, the findings of which are expected to make a significant contribution to nutritional science. In addition, we plan to ask the recipients of the Nobel Prize in Physiology or Medicine deliver the keynote address.

[Significance of the ICN]

Hosting the ICN in Japan will provide an opportunity to promote nutritional science and food science research findings from Japan to researchers from around the world, to promote participation by numerous researchers, to facilitate direct interactions between Japanese researchers in the field with their peers worldwide, and to further globalize Japanese nutritional science while increasing its presence on the global stage. In addition, by opening some lectures to the community, the ICN can be expected to allow Japanese researchers to give something back to society while increasing interest in nutritional science among the general public.

Featured Speakers (including candidates and those in negotiations)

- Opening lectures
 1. Serendipities of acquired immunity
Tasuku Honjo
(Distinguished Professor, Kyoto University Institute for Advanced Study)
Recipient, 2018 Nobel Prize in Physiology or Medicine
 2. Achieving healthier populations in changing global food and nutrition environment
Naoko Yamamoto
(World Health Organization)

- Plenary lectures
 1. Human brown fat: a tissue preventive against obesity and metabolic diseases
Masayuki Saito (Hokkaido University)
 2. Signaling pathways through which leucine acts to stimulate mRNA translation
Scot R. Kimball (Penn State College of Medicine, U.S.A.)

3. Nutrition through the life course and lifelong health
Sian M. Robinson (Newcastle University, UK)
 4. Nutrition epidemiology-methodology and its future aspect
Walter C. Willett (Harvard TH Chan School of Public Health, U.S.A.)
 5. Large-scale regulatory and fiscal policy for tackling obesity and creating healthier diets
Barry M. Popkin (University of North Carolina Gillings School of Global Public Health, U.S.A.)
 6. Prevention of cardiovascular disease by population approach focusing on nutrition and eating habits
Pekka M. Puska (Finnish Institute for Health and Welfare, Finland)
 7. Functional foods in the near future for realization of the society toward healthy and powerful longevity
Keiko Abe (The University of Tokyo)
 8. Prospects and challenges of cultured meat
Marcus J. Post (Maastricht University and Mosa Meat, B.V., The Netherlands)
- Closing lecture Personalized, population and planetary nutrition
J. Alfredo Martinez (IUNS President, IMDEA/UNAV, Spain)

Main Symposium Topics

- 1) Advances in Nutrition Research
 - Chrono-nutrition
 - The gastrointestinal secretory system that detects nutrition and controls the entire body
 - The sustainable health-oriented society being made possible by the IoT
 - The new role of vitamins in preventing lifestyle-related diseases
 - Health and nutrition during natural disasters
 - Nuclear receptors that participate in nutrition and their function
 - Control of memory capacity by nutrients, foods, and food-derived intestinal bacteria
 - Nutrient sensitivity mechanisms and neural circuits that control food preferences
- 2) Nutrients and nutritional assessment
 - Physiological functions of proteinogenic amino acids
 - Physiological functions of non-proteinogenic amino acids
 - The importance of choline from a nutritional science perspective
 - Epidemiological nutrition research in East Asia: Lessons from the European Prospective Investigation into Cancer and Nutrition (EPIC) study
 - Various techniques related to nutritional assessment: Self-reporting, blood testing, and urine testing
 - Issues with nutritional study methodology in joint international epidemiological research and nutrients that need evidence
 - From eating disorder-related nutritional assessment to treatment
 - Technological innovation in nutrient ingestion and diet assessment
- 3) Nutrition through life course
 - The life course approach to healthy aging

- Eating together for health and well-being through the life course approach
 - Skipping breakfast
 - Food literacy
 - Maternal nutrition
 - Infant nutrition
 - The life course approach to better nutrition
 - Nutrition for senior citizens
- 4) Nutrition and management of diseases
- Diet treatment for diabetes
 - Diet treatment for obesity and metabolic syndrome
 - Nutrition management for frailty and sarcopenia
 - Vitamins, minerals, and nutrition management
 - Nutrition management for dementia
 - Nutrition management for heart failure patients
 - Nutrition management for fatty livers and liver diseases
 - Nutrition management for allergy diseases
 - Nutrition management for chronic kidney diseases
- 5) Food culture practices and nutrition education
- Healthy food environments
 - Nutritional initiatives designed to realize a sustainable society: Policy and nutrition education
 - Health disparities among children and meal support
 - Contribution of agriculture to health
 - Health literacy and nutrition education
 - The role of school lunch programs
 - Provision and utilization of meal services at international sporting events
 - Characteristics of the Japanese diet that are effective in health maintenance
 - Creating, utilizing, and evaluating worldwide evidence-based dietary guidelines and food guides
- 6) Public health nutrition and environment
- Health and nutritional disparities in regional groups
 - Food loss in various countries
 - Climate change measures from the perspective of food systems
 - Food composition tables by country and associated issues
 - Nutritional labeling programs in foreign countries and associated issues
 - Prevention of cardiovascular diseases using a population approach centering on nutrition and diet:
- International measures to reduce salt consumption
- Citizen health and nutritional studies in foreign countries and associated issues
 - Meal intake standards and nutritional allowances in various countries and associated issues
- 7) Functional foods and bioactive compounds
- Plant pigments as food-derived factors and their health function

- Nutrition and food in space
- The latest research into the physiological mechanisms of peptides
- The latest knowledge related to tea polyphenol and health advancement
- Abnormal lipid metabolism and the risk of arteriosclerotic cardiovascular disease
- Dementia prevention and polyphenol
- Immune modulation by foods: New cooperative effects of food ingredients and mycorrhizal fungus in the intestines
- Probiotics and prebiotics

8) Agriculture, food science and safety

- Food metabolomics
- Integrative approaches of bioassay and computational analysis for discovering potential bioactive compounds and predictive toxicity
- The "Yin-Yang" of food factors
- Contribution of agriculture to health promotion
- Food safety
- Analysis of food quality by massspectrometry
- Novel functionaly of seafood
- Lipid molecular assemblies : Structure, digestion, absorption and application as delivery carrier
- Nourishing the future: the role of fish and fishery products for improved food and nutrition security in developing countries

Exhibition Guidelines

- Date & Time**

| | |
|-----------------------------|------------|
| Wednesday, December 7, 2022 | 9:00-17:30 |
| Thursday, December 8, 2022 | 9:00-17:30 |
| Friday, December 9, 2022 | 9:00-17:30 |
| Saturday, December 10, 2022 | 9:00-15:30 |

*Please note that above schedule may be changed without notice depending on program change etc.

- Venue**

Hall E (B2 floor), Tokyo International Forum
 3-5-1 Marunouchi, Chiyoda-ku, Tokyo 100-0005, Japan
 TEL: +81-3-5221-9000 (main)

Booth & Fee (All listed prices are not including tax.)

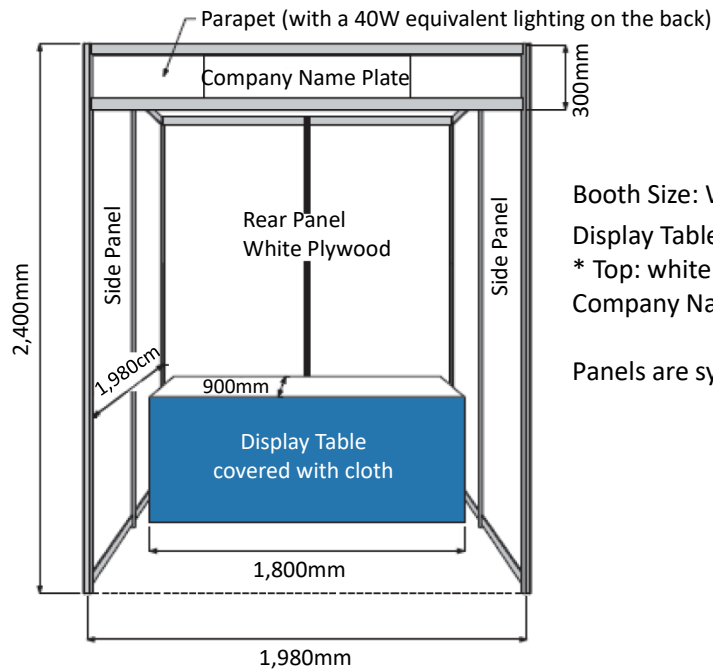
Type A
360,000JPY

Booth space only
 *No panels and carpet are included.

Size: 3m×3m
 *Please inquire about standard booth decoration if needed (paid option).



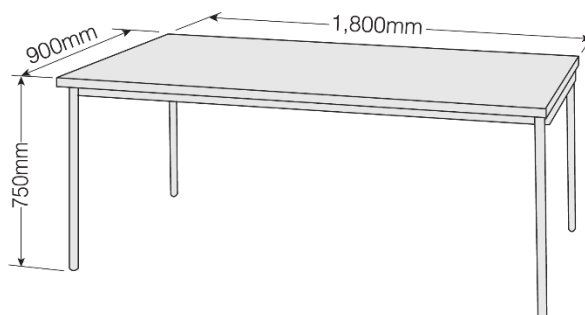
Type B
200,000JPY



Booth Size: W1,980 × D1,980 × H2,400mm
 Display Table: W1,800 × D900 × H700mm
 * Top: white cloth, Side: blue cloth
 Company Name Plate × 1

Panels are system panels.

Type C
45,000JPY
 * For only publishers and bookstores.



The tabletop is covered with white cloth, and the four sides are wrapped with blue cloth.

● Electricity (All listed prices are not including tax.)

The electricity bill and costs for electrical installation work will be billed to each exhibitor.

100W – 500W 15,000JPY

501W – 1KW 20,000JPY

* For the use of over 1KW, 10,000JPY per 1KW will be added.

*200V power supply equipment (Single phase / Three phase) requires extra charge.

*These will be charged after the congress separately from the exhibition fee.

● Application & Payment

1) Application: Please apply via the congress website below.

<https://icn22.org/exhibition.html>

2) Application deadline:

Friday, July 15, 2022

*Please note that the number of available booths is limited.

3) Exhibition secretariat:

22nd IUNS-ICN Exhibition Secretariat c/o A&E Planning Co., Ltd.

Hitotsubashi Bekkan 4F, 2-4-4 Hitotsubashi, Chiyoda-ku, Tokyo 101-0003, Japan

TEL: +81-3-3230-2744 FAX: +81-3-3230-2479

4) Payment: Please make a payment when you receive an invoice.

✂Please note that a remittance fee of 5,000JPY will be added to the exhibition fee.

[Bank account information]

Bank: Mizuho Bank, Ltd., Ikebukuro Nishiguchi Branch (Branch code 229)

Branch address: 1-15-2 Nishiikebukuro, Toshima-ku, Tokyo 171-0021, Japan

Swift code: MHCBJPJT

Account No.: (ordinary) 1575059

Account name: JSNFS-ICN 2021

Account address: Japan Society of Nutrition and Food Science

3-60-5 Ikebukuro, Toshima-ku, Tokyo 171-0014, Japan

● Cancellation

Please contact the exhibition secretariat if you wish to cancel your application. You will be asked to submit a cancellation form.

[Cancellation fee]

When a cancellation form is received by July 15 ... 50% of the amount billed

When a cancellation form is received after July 15 ... Full amount billed

The congress or the exhibition may be changed or cancelled due to natural disasters or other reasons that are not in the scope of the organizer's responsibility.

The organizer will not pay compensation to sponsor companies for damages or losses caused by such changes. In case the congress or the exhibition is cancelled due to the reasons mentioned above, the organizer will deduct preparation costs from the sponsorship fees and refund the difference to sponsor companies.

- Display table If you do not need a display table to place exhibits directly on the floor, please inform us by filling in the specified section on the application form.
- Exhibits control Please be reminded that all the exhibits are under exhibitors' control, and we are not responsible for any losses, thefts, fire or damages by inevitable accidents during the exhibition.

- Set-up / Dismantling

Set-up: Tuesday, December 6, 2022 15:00 – 20:00

Dismantling: Saturday, December 10, 2022 After the exhibition

* Please note that above schedule may be changed due to program change etc.

The details will be notified after the application deadline.

Contact: 22nd IUNS-ICN Exhibition Secretariat c/o A&E Planning Co., Ltd.
Hitotsubashi Bekkan 4F, 2-4-4 Hitotsubashi, Chiyoda-ku, Tokyo 101-0003, Japan
TEL: +81-3-3230-2744 FAX: +81-3-3230-2479
E-mail: iuns-icn2022@aeplan.co.jp

The contact information for the sponsorship package plan is different. Please check the website for details.

Program at a Glance (tentative)

| | AM | PM | EV |
|--------------|---|---|--|
| Dec 6 (Tue) | Satellite Symposium Exhibition: Construction | Opening Ceremony Opening Lectures Exhibition: Set-up | Welcome Cocktail Exhibition: Set-up |
| Dec 7 (Wed) | Symposium Plenary Lecture Poster Presentation | Luncheon Seminar Symposium Oral Presentation Poster Presentation | |
| | Exhibition Day 1 | | |
| Dec 8 (Thu) | Symposium Plenary Lecture Poster Presentation | Luncheon Seminar Symposium Oral Presentation Poster Presentation | |
| | Exhibition Day 2 Educational Tour | | |
| Dec 9 (Fri) | Symposium Plenary Lecture Poster Presentation | Luncheon Seminar Symposium Oral Presentation Poster Presentation | |
| | Exhibition Day 3 Educational Tour | | |
| Dec 10 (Sat) | Symposium Plenary Lecture Poster Presentation | Luncheon Seminar Symposium Oral Presentation Poster Presentation | Gala Dinner Exhibition: Dismantling |
| Dec 11 (Sun) | Symposium Closing Lecture Closing Ceremony | | |